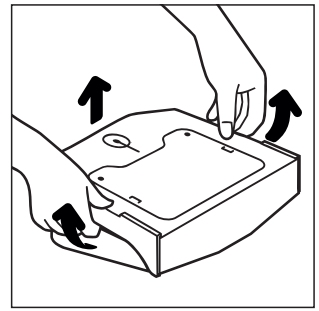
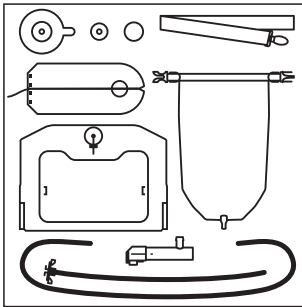


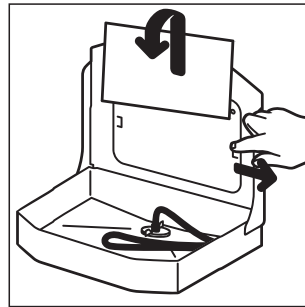
USER MANUAL



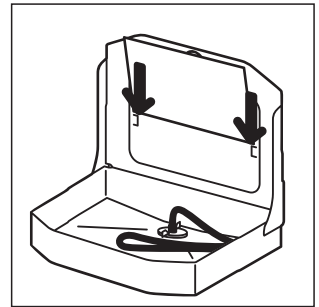
- 1**
Open the sink by gently bending the sides outward.



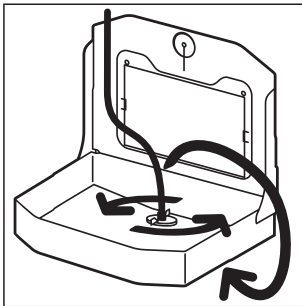
- 2**
Contents.



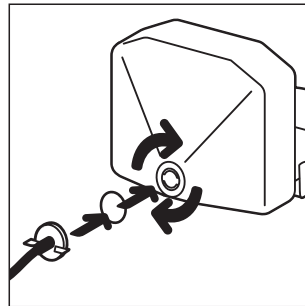
- 3**
Bend back one of the clips to remove the mirror, which is reversed for transport.



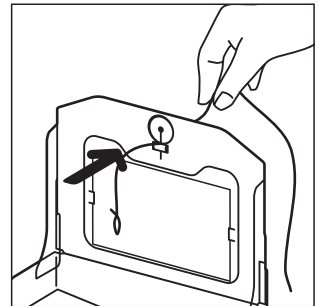
- 4**
After flipping it, slide it back in, or hang it above the sink using the hole in the mirror.



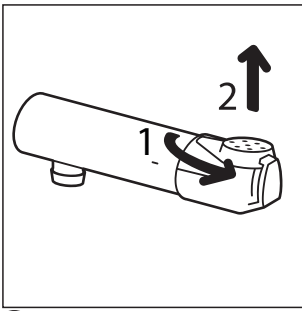
- 5**
Unscrew the black hose and move it to the bottom.



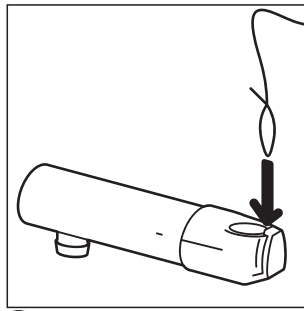
- 6**
Add the gasket and tighten.



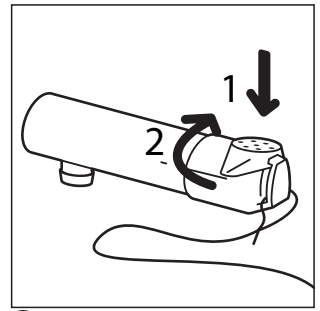
- 7**
The cord connects the tap to the pedal, allowing hands-free handwashing. Thread the cord through the hole as shown in the illustration.



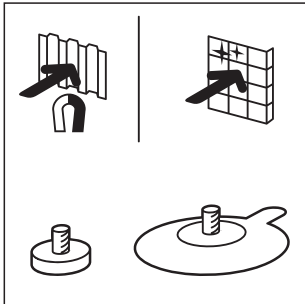
8 Turn the nozzle 90 degrees and remove it.



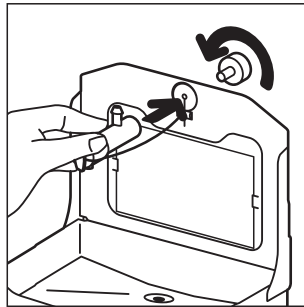
9 Attach the cord loop as shown in the diagram.



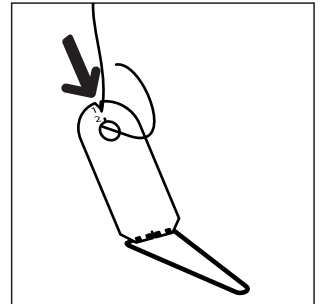
10 Reattach the nozzle.



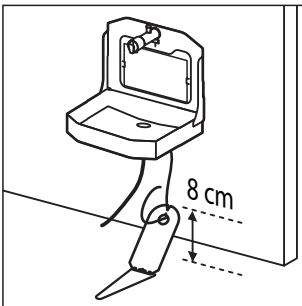
11 Attach the tap with the screw and magnet or suction cup, depending on whether you want to mount the sink to a metal or smooth surface.



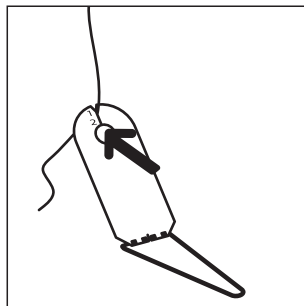
12 While screwing the valve fitting, hold it upright.



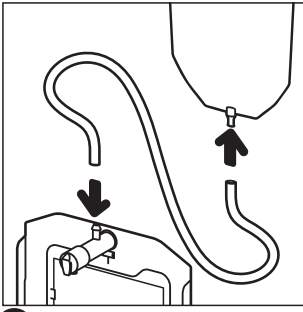
13 Pass the string through the top indentation on the pedal marked with number 1.



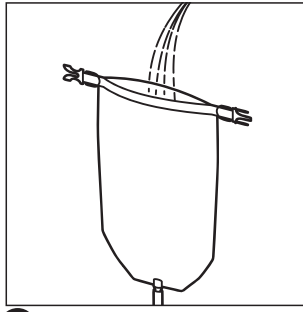
14 Adjust the length of the cord so that the pedal is raised by 8 centimeters.



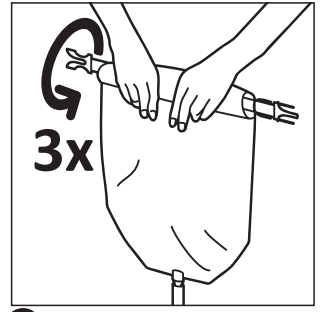
15 Pass the cord through the indentation marked as number 2. Wrap the remaining part of the string.



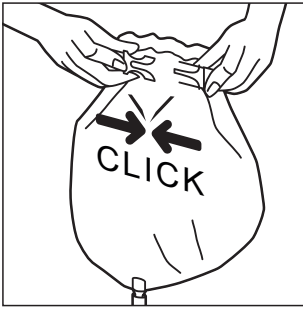
16 Connect the valve to the bag with the transparent hose.



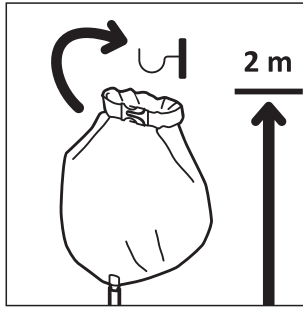
17 Gently open the top and pour water inside.



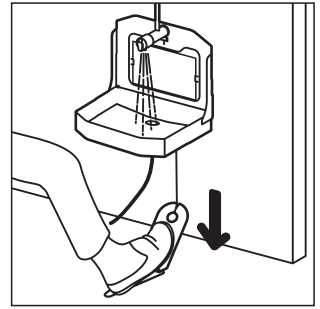
18 Twist the top of the bag three times.



21 Clip the fasteners at the ends of the strap.



22 Place the bag above the tap.



23 Place your heel on the metal bracket. Press the pedal with your foot to start the water flow, releasing the pedal stops the flow.