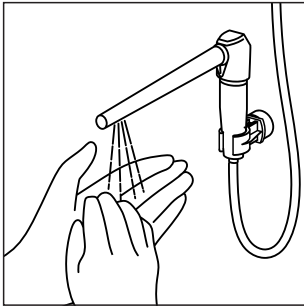
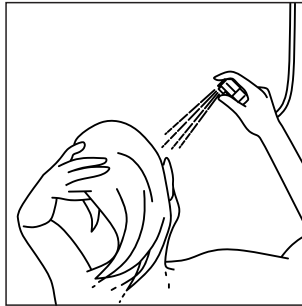


### USER MANUAL

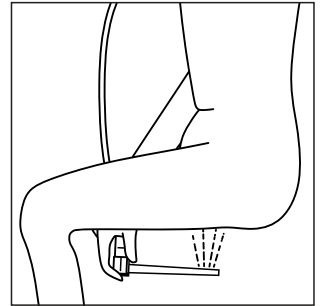
### USAGE INSTRUCTIONS



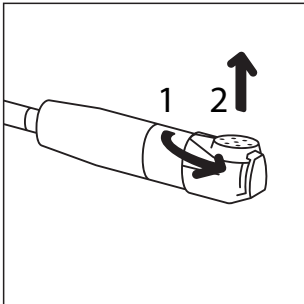
TAP



SHOWER

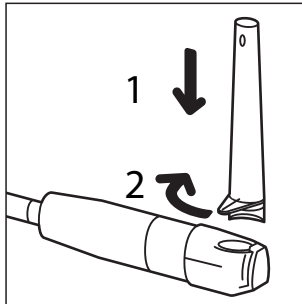


BIDET



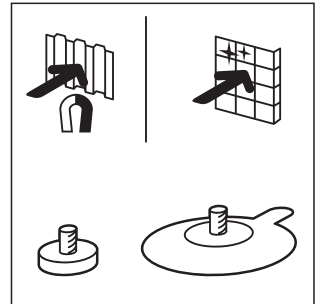
**1**

To activate the water flow, press the showerhead from the top; pressing it again stops the water.



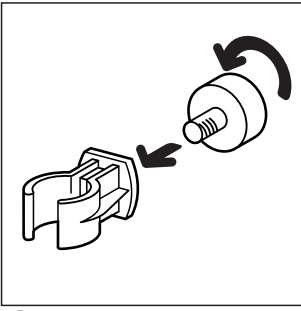
**2**

Insert a different nozzle into the hole and rotate it 90 degrees.

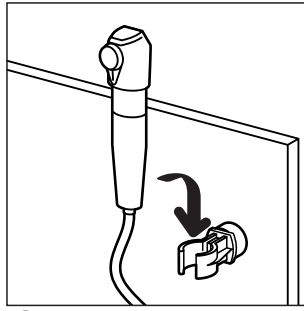


**3**

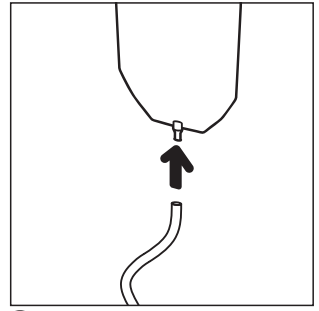
You can screw in the screw with a magnet or suction cup to the hook, depending on whether you want to attach it to a metal or smooth surface.



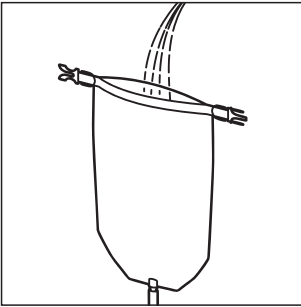
**4**  
Tighten the selected attachment.



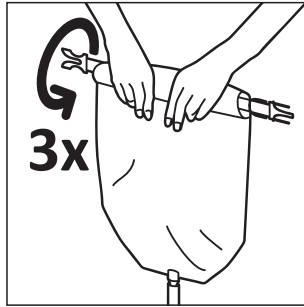
**5**  
Insert the showerhead into the hook from the top.



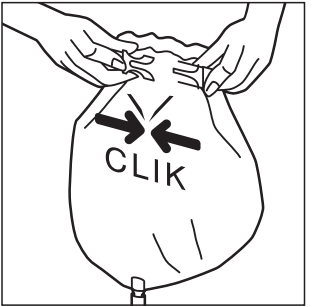
**6**  
Connect the valve and the bag with a transparent tube.



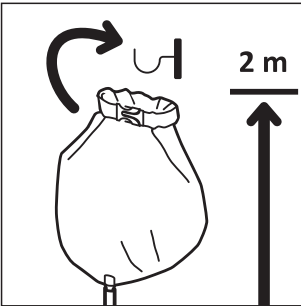
**7**  
Slightly open the top and pour water inside.



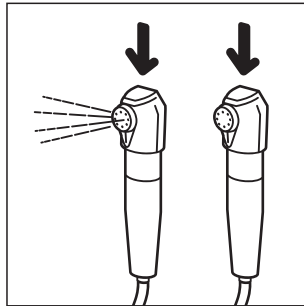
**8**  
Twist the top of the bag three times.



**9**  
Fasten the clips at the ends of the strap.



**10**  
Place the water bag at a height of about 2 meters.



**11**  
To activate the water flow, press the showerhead from the top; pressing it again stops the water.