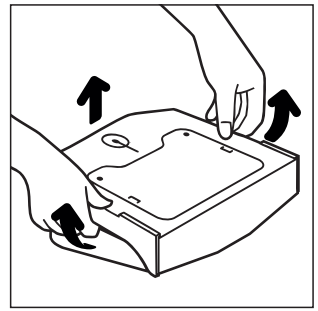


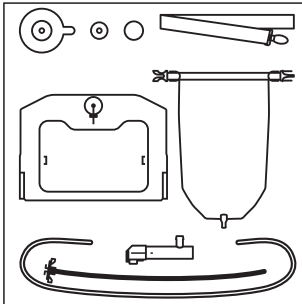
## POCKET SINK PLUS

click valve tap  
PSPCV-NB-EN

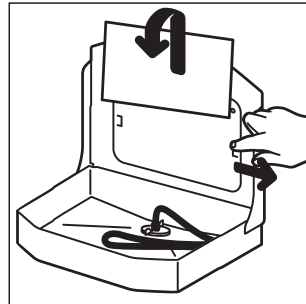
### USER MANUAL



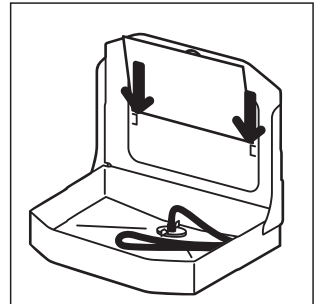
- 1**  
Open the sink by gently bending the sides outward.



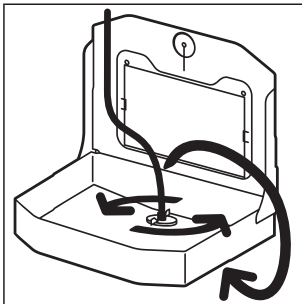
- 2**  
Contents.



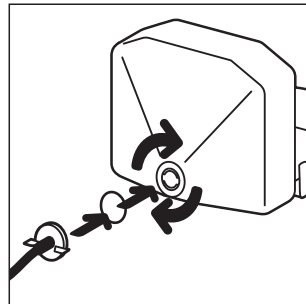
- 3**  
Bend back one of the clips to remove the mirror, which is reversed for transport.



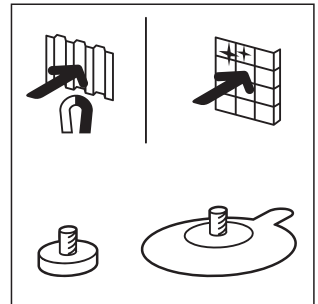
- 4**  
After flipping it, slide it back in, or hang it above the sink using the hole in the mirror.



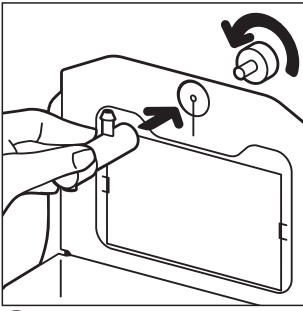
- 5**  
Unscrew the black hose and move it to the bottom.



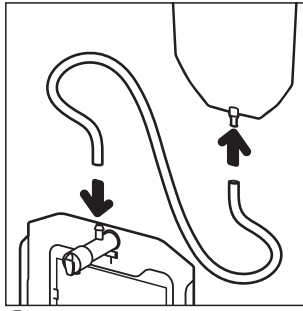
- 6**  
Add the gasket and tighten.



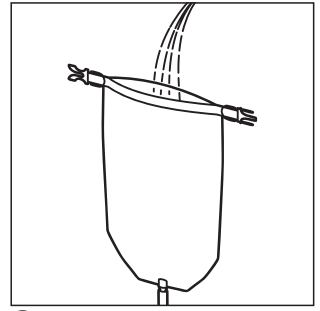
- 7**  
Attach the faucet using the screw with a magnet or suction cup, depending on whether you want to fix the sink to a metal or smooth surface.



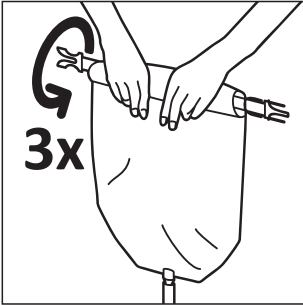
**8** When mounting the tap, hold it fitting upward to connect it with the tube.



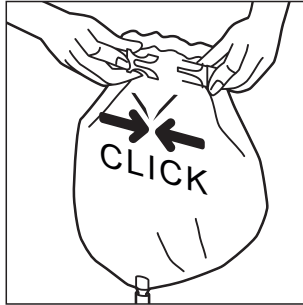
**9** Connect the valve to the bag with the transparent hose.



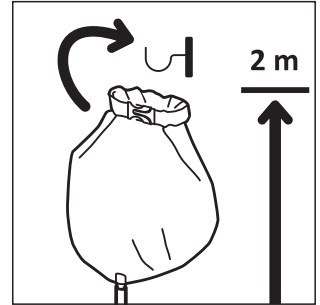
**10** Gently open the top and pour water inside.



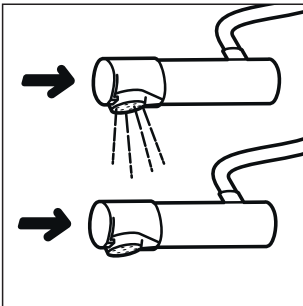
**11** Twist the top of the bag three times.



**12** Clip the fasteners at the ends of the strap.



**13** Place the bag above the tap.



**14** To activate the water flow, press the faucet from the front and hold. Release to stop the water flow.